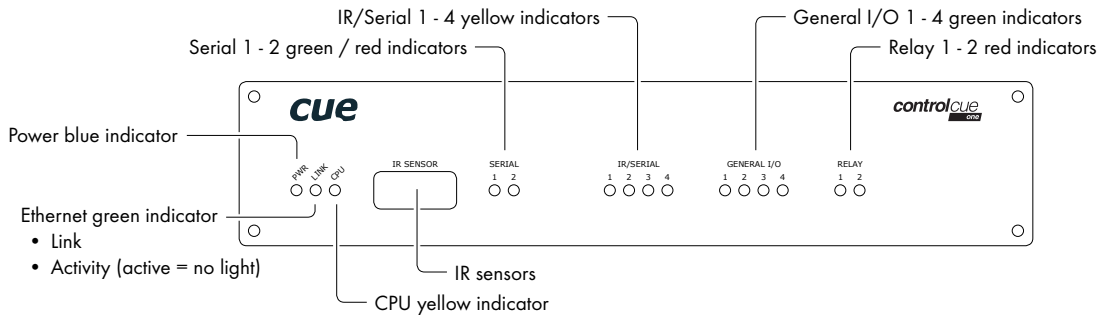
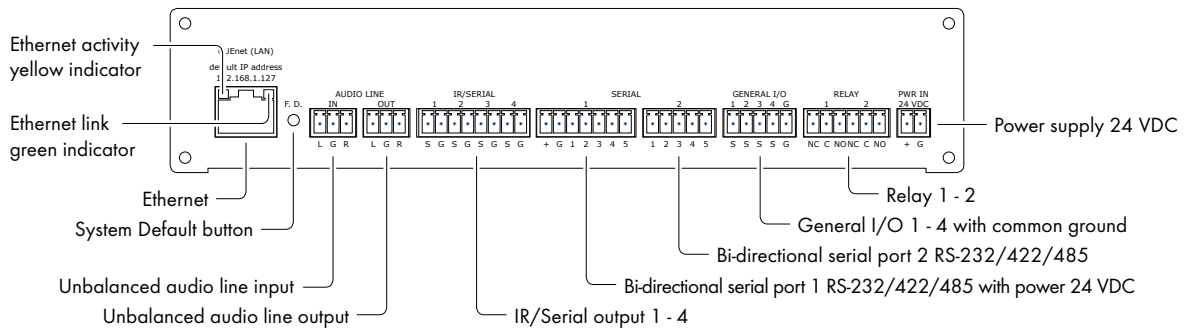


Front Panel



Rear Panel



Connector Pinouts

AUDIO LINE IN

Pin	Description
L	Left channel input
G	Ground
R	Right channel input

AUDIO LINE OUT

Pin	Description
L	Left channel output
G	Ground
R	Right channel output

IR/SERIAL 1 - 4

Pin	Description
1 S	IR/Serial 1 - signal
1 G	Ground
2 S	IR/Serial 2 - signal
2 G	Ground
3 S	IR/Serial 3 - signal
3 G	Ground
4 S	IR/Serial 4 - signal
4 G	Ground

SERIAL 1

Pin	RS-232	RS-422	RS-485
+	Output +24 VDC		
G	Ground		
1	TxD	Tx A+	A+
2	RTS	Tx B-	B-
3	Ground	Ground	Ground
4	RxD	Rx A+	N.C.
5	CTS	Rx B-	N.C.

SERIAL 2

Pin	RS-232	RS-422	RS-485
1	TxD	Tx A+	A+
2	RTS	Tx B-	B-
3	Ground	Ground	Ground
4	RxD	Rx A+	N.C.
5	CTS	Rx B-	N.C.

GENERAL I/O 1 - 4

Pin	Description
1 S	I/O 1 - signal
2 S	I/O 2 - signal
3 S	I/O 3 - signal
4 S	I/O 4 - signal
G	Common ground

RELAY 1 - 2

Pin	Description
1 NC	Relay 1 - normal close
1 C	Relay 1 - common
1 NO	Relay 1 - normal open
2 NC	Relay 2 - normal close
2 C	Relay 2 - common
2 NO	Relay 2 - normal open

PWR IN

Pin	Description
+	Power +24 VDC
G	Ground

System Default Setup

When System Default button is pressed longer than 5 sec., the system default function is performed and setup is as follows

- IP address: from DHCP (192.168.1.127 without DHCP)
- IP Mask: from DHCP (255.255.255.0 without DHCP)
- Password: Empty (no input required)

User Manual

Complete user manual can be downloaded here:

http://www.cuesystem.com/user_manuals.aspx